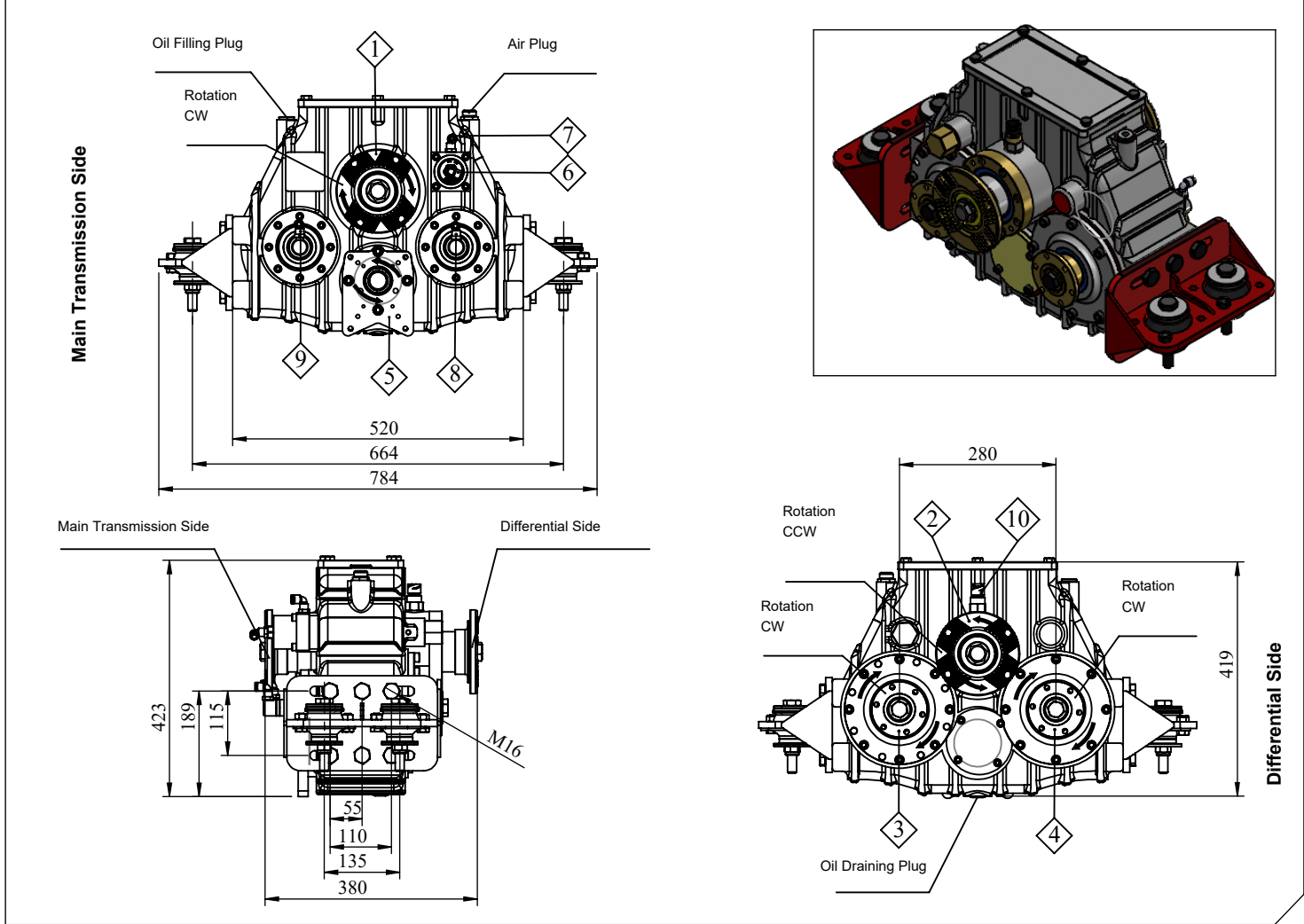


Vehicle Type	For Cesspit Emptiers, Cleaning Combination, Vacuum, Blower Vehicles
Gearbox Type	Horizontal Double Output Split Shaft PTO - Hot Shift Feature

Product Code	UARA.840
Revision No-Date	01-25.04.2018



Product Views



Options

- 1 : ISO 7647-ISO 7646-ISO 8667 Standard Flange
- 2 : ISO 7647-ISO 7646-ISO 8667 Standard Flange
- 3 : ISO 7647-ISO 7646-ISO 8667 Standard Flange
- 4 : ISO 7647-ISO 7646-ISO 8667 Standard Flange
- 5 : Pump Output: GROUP 1 , GROUP 2, Gear Pump

- 6 : Air Input (Differential Output Activated)
- 7 : Air Input (Differential Output Deactivated)
- 8 : Air Input (Side Output Activated)
- 9 : Air Input (Side Output Activated)
- 10 : Rpm Counter (Opt.)

Technical Details

Outputs	Max. Values	Max. Revolution	Ratio	Connection Type	Control Type
1 & 2	7848 Nm	-	1/1	SHAFT	PNEUMATIC
3	85 kW	2500-3000 rpm	1/1.41		
4	85 kW	2500-3000 rpm	1/1.41	Weight	Rotation
5	35 kW	-	1/1.7		



KOZANOĞLU
KOZMAKSAN

HYDRAULIC PUMPS & POWER TAKE-OFFS MANUFACTURING LIMITED CO.
HİDROLİK POMPA ve ARA ŞANZİMAN PTO İMALAT SAN.LTD.ŞTİ.

Office

Tel. +90 312 354 05 39
Fax +90 312 354 34 59
7. Sokak No: 9
Ostim / ANKARA
e-mail: info@kozmaksan.com.tr

Factory

Tel. +90 312 267 39 71
Fax +90 312 267 38 72
AOS. 1. OSB. Erkunt Cad. No: 6
Sincan / ANKARA
Website: www.kozmaksan.com.tr